



BALI
SUNLOUNGER



+ PRODUCT

- High stability : High stability : 6 fulcrum supports - no risk of overturning on slippery floors (Swimming Pool use) or sinking in sand (Beach use)
- High corrosion resistance : robust structure in first quality & recyclable, polypropylene, including anti-UV sunrays protection
- Very comfortable : 4 adjustable backrest positions, horizontal position
- Ease of use & maintenance : Wheels included for easy moving, stackable



- Anti-UV sunrays, anti-microbe
- High quality fabric, non-deformable
- Quick drying, easy to clean



Fabric high resistance

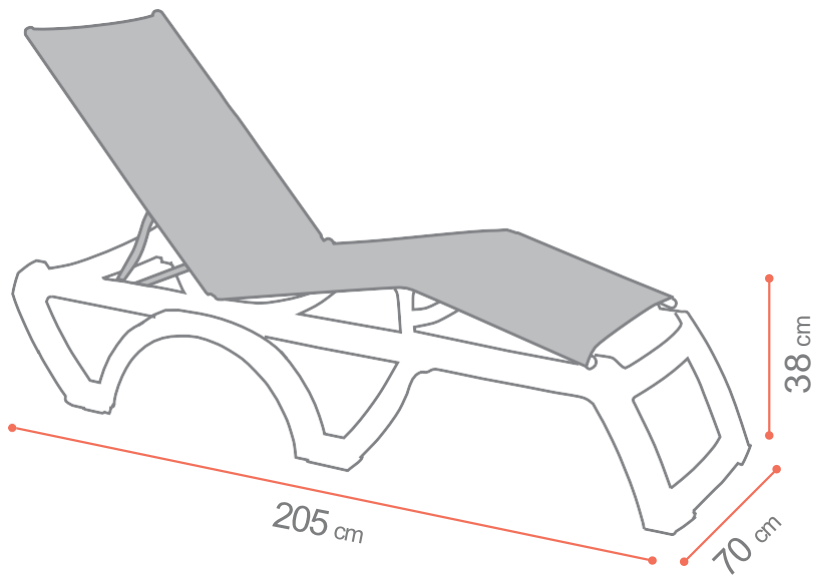


Integrated wheels

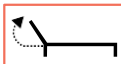


Polypropylene masse dyed





+ Aluminium
+ Alluminio
+ Aluminium



x16

12,45
Kg



Charcoal / T42 Straw
29401002



Charcoal / T2 Capuccino
44279002



Charcoal / T9 Ecrú
47099002



Charcoal / T18 Charcoal
47043002



Taupe / T21 Taupe
47057181

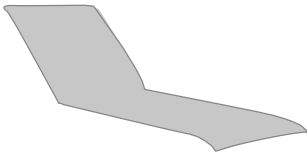


Taupe / T42 Straw
29401181



Riform / T9 Ecrú
47099008

CANVAS STRUCTURE

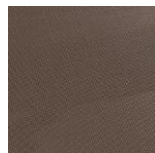


x 2

5 Kg



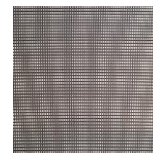
T18 Charcoal
ZBU8-SAV



T21 Taupe
ZBU9-SAV



T9 Ecrú
ZBV0-SAV



T2 Capuccino
ZBU7-SAV



T42 Straw
ZCI1-SAV